


BriteMED® Mobile Cart

Complete series that enhance workflow efficiency for various clinical applications

The quality-assured casters with brake function enable better steering control when moving around. The ABS working table and powder coating surface prevents the cart from scratching and makes it easy to be disinfected without any erosion risk. The optional accessories are available for categorization of medicine, medical consumables and alcohol bottles.

Computer Workstation

pCART-D1
Advanced with Battery Bin

- Intuitive slide-out keyboard tray
- VESA 75/100 supporting arm
- Bottom battery bin drawer



pCART-D1-N
Elegant Type with Lightweight Size

- Quality casters with lightweight footprint
- VESA 75/100 supporting arm
- Wide work surface facilitates regular ward rounds.



pCART-D2
Slim Type with Expanded Flexibility

- Complete storage design with basket and device holders
- VESA 75/100 supporting arm
- Optional camera kit for telemedicine consultation



pCART-D3
Cost-Effective with Quality Casters

- Lightweight and slim size
- Compact design for limited space
- VESA 75/100 supporting arm

Laptop Workstation



pCART-D4
Neat & Compact for Laptop Storage

- Lift-up storage bin for cables and the adapter
- Superior maneuverability
- Easy-clean finishes for infection control

* Laptop is not included

Tablet Workstation




pCART-D5
Simple Design with Stable Base

- Lightweight design
- Easy movement
- Anti-theft tablet holder

* PC, PC holder, keyboard, and keyboard holder are optional

Vital-Sign Workstation



pCART-R1
Compact Design with Durability

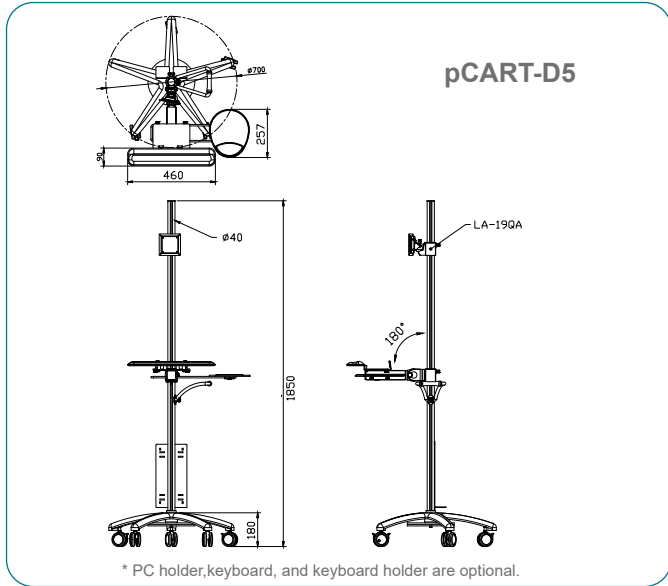
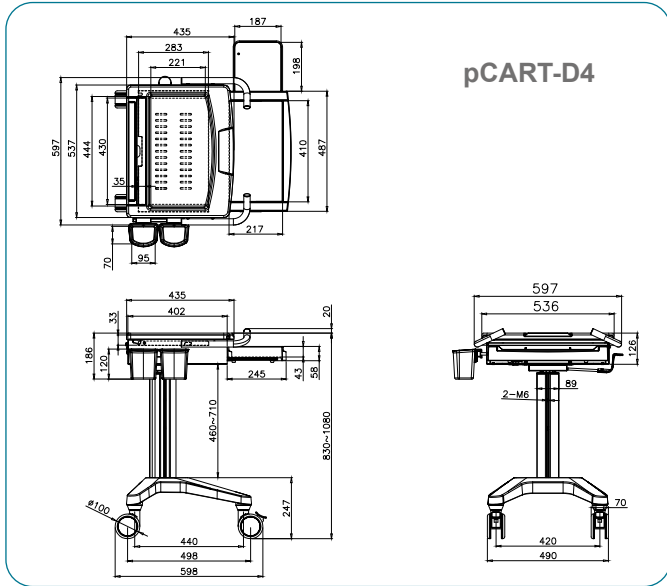
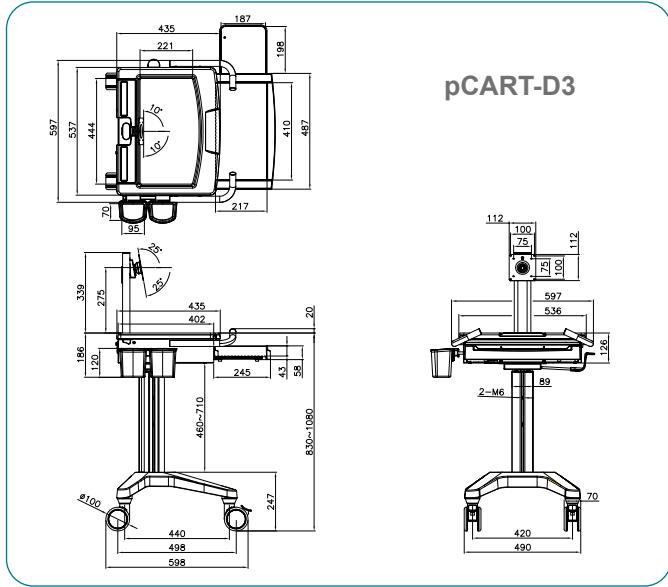
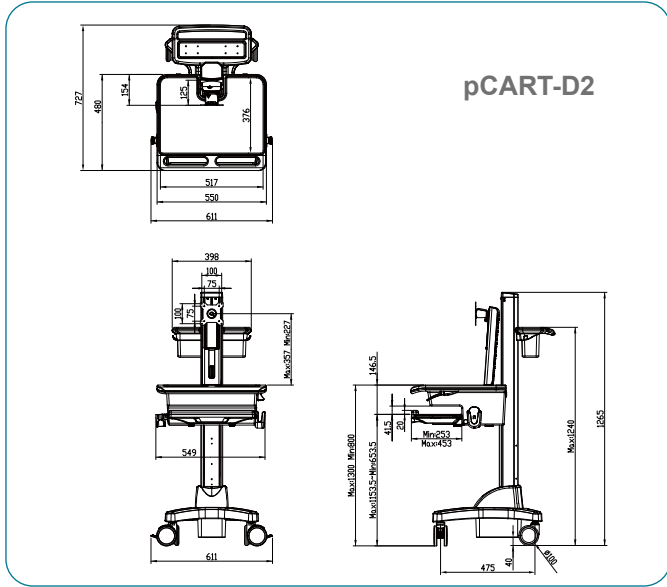
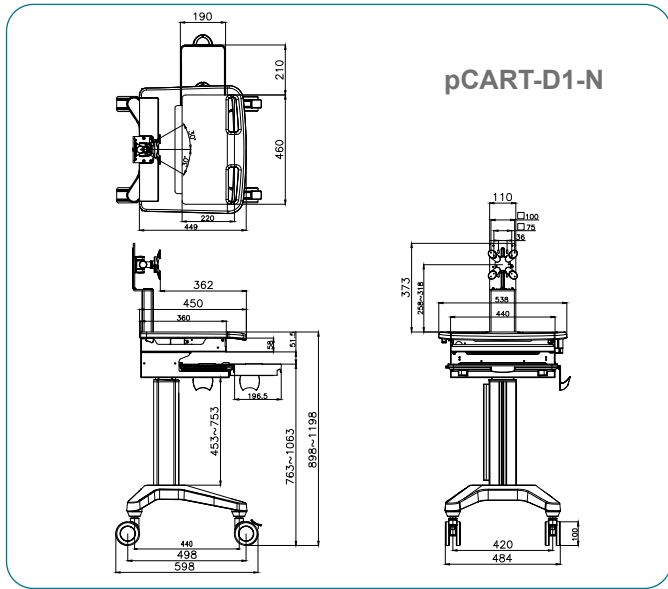
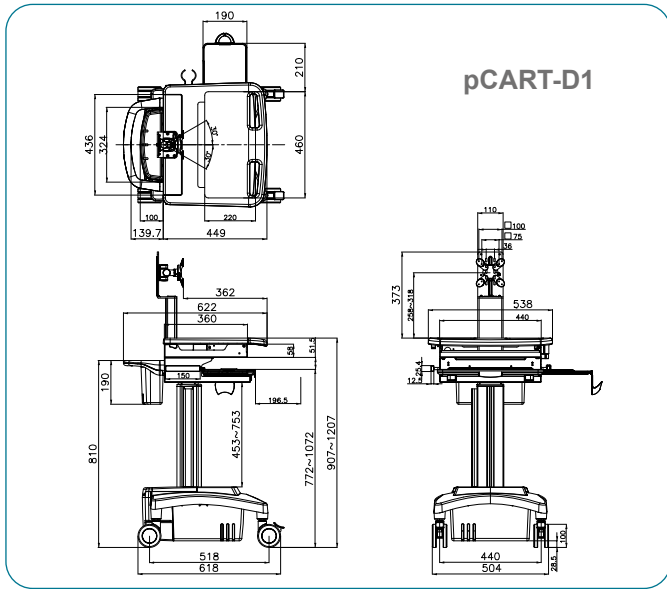
- Durable stainless steel structure
- Easy-clean ABS utility basket
- Easy movement by handle bar

*Vital sign monitor is not included.

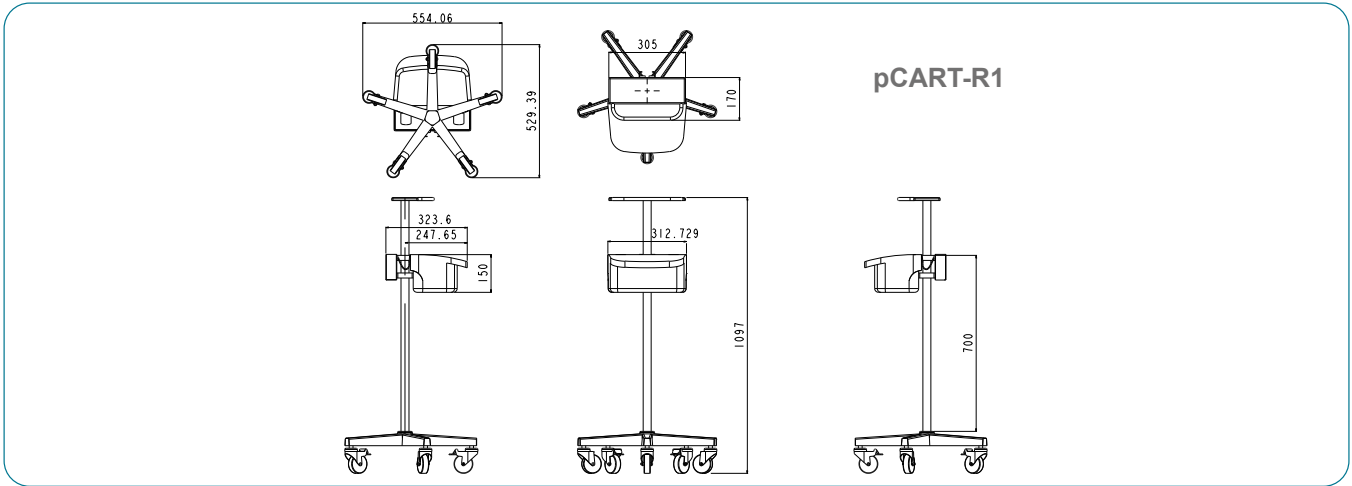
Specifications

Model No.	pCART-D1	pCART-D1-N	pCART-D2	pCART-D3	pCART-D4	pCART-D5	pCART-R1
Description	Workstation with battery bin	Lightweight panel PC workstation	Panel PC workstation	Cost-effective AIO workstation	Laptop workstation	Tablet workstation	Vital signs workstation
Loading Weight (Mounting Kit)	1~8 kg		6~12 kg	1~8 kg	1~5 kg	1~6 kg	>2 kg (Device plate)
Height Adjustment Range (from ground to top work surface)	300 mm		500 mm	250 mm		N/A	N/A
Main Material	Aluminum alloy						Stainless steel
Work Surface (W x D)	538 x 449 mm		517 x 261 mm	537 x 435 mm		N/A	N/A
Laptop Compartment (L x W x H)	N/A				460 x 280 x 33 mm	N/A	N/A
VESA	75/100 mm				N/A	75/100 mm	N/A
Keyboard Tray (W x D)	460 x 220 mm		449 x 207 mm	410 x 217 mm		N/A	N/A
Accessory	Mouse Holder	Yes	Yes	Yes	N/A	N/A	N/A
	Scanner Holder	Yes	N/A	N/A	N/A	N/A	N/A
	Storage Basket	Yes	N/A	Yes	N/A	N/A	Yes
Battery Compartment (L x W x H)	197 x 256 x 168 mm/ Loading (max.): 20 kg	N/A					N/A
Caster Quantity	4 casters with 2 locking					5 casters with 3 locking	5 casters with 3 locking
Caster Diameter	100 mm					75 mm	75 mm

Dimensions (unit:mm)



* PC holder, keyboard, and keyboard holder are optional.



Ordering Information

Part No.	Description
PCART-D1-W00-R1	Mobile cart in white color, with height adjustment, rear handle, keyboard tray, mouse holder, scanner holder, storage basket, 4 inch medical grade casters, VESA 75/100 arm (loading max. 8 kg), bottom battery bin (without battery module)
PCART-D1-W00-N-R1	Mobile cart in white color, with height adjustment, keyboard tray, mouse holder, 4 inch medical grade casters, VESA 75/100 arm (loading max. 8 kg)
PCART-D1-W85-N-R1	Mobile cart for POCm battery panel PC, in white color, with height adjustment, keyboard tray, mouse holder, 4 inch medical grade casters, VESA 75/100 arm (loading max. 8.5 kg)
PCART-D2-W120-N-R1	Mobile cart in white color, with height adjustment, keyboard tray, mouse holder, scanner holder, storage basket, 4 inch medical grade casters, VESA 75/100 arm (loading max. 12 kg)
PCART-D3-W80-N-R1	Mobile cart in white color, with height adjustment, keyboard tray, 4 inch medical grade casters, VESA 75/100 arm (loading max. 8 kg)
PCART-D4-W50-N-R1	Laptop cart in white color, with height adjustment, keyboard tray, 4 inch medical grade casters, VESA 75/100 arm (loading max. 5 kg)
PCART-D5-W60-N-R1	Tablet cart in silver color, 3 inch casters, VESA 75/100 tablet holder
PCART-R1-01-R1	Mobile cart, stainless steel none coating, height 1100 mm, storage basket, pole clamp, 3" wheels x 5

Options

Part No.	Description		Part No.	Description	
PCA-HCA-001-R1	3 inch high drawer with lock, 270 x 440 mm, for pCART-D1/D1-N/D3/D4		PCA-ACB-100-R1	4 inch high drawer with lock, 430 x 420 mm, for pCART-D2	
PCA-HCA-005-R1	A4 storage basket for pCART-D1-N/D3/D4		PCA-ACB-140-R1	Medicine container 430 x 410 x 110 mm, for pCART-D2	
PCA-HCA-010-R1	Medication drawer, 462 x 238 x 195 mm, for pCART-D1/D1-N/D3/D4		PCA-ACZ-001-R1	Camera loading kit 240 x 145 x 486 mm, for pCART-D2	
PCA-HCA-501-R1	Storage basket for cables, cuffs and medical device peripherals, 330 x 124 x 180 mm, for pCART-D3/D4		pCART-R1-holder	Adaptor holder, 60 (L) x 40 (W) x 100 (H) mm, for pCART-R1	



Mobile Cart_datasheet_
V1_20210401

Britemed Technology Inc.

3F., No.306/306-3, Sec. 1, Datong Rd., Xizhi Dist., New Taipei City 22146, Taiwan

TEL: +886-2-86919498

FAX: +886-2-86919468

www.britemed.com.tw

Specifications may change without further notice.
© 2021 BriteMED Technology Inc. All rights reserved.