

BriteMED[®] POCi-W22C-ULT5

DICOM Supported Intelligent Gateway for Surgical & Modality Imaging Processing



The high-performance, 8th Generation Intel[®] mobile ULT Core™ i7/i5/Celeron[®] Processor supported, medical panel PC features DICOM compliance grayscale calibration and expandable capture card interface, a perfect control terminal or modality gateway for radiology, surgical room, and telemedicine applications.



Benefits



Quality Imaging Display

The DICOM compliance ensures accurate grayscale reproduction, featuring multi-modality image processing & integration for surgical and telemedicine applications.



Flexible Expansion

The expandable PCIe x4 slot makes a wide range of connection with graphic card, video capture card, isolation I/O card and edge computing card, satisfying the video processing demand in tele-conference and OR applications.



High Computing Power

The Intel[®] 8th Generation Intel[®] mobile ULT Core™ Processor provides high computing performance for multi-channel tele-conference. The USB 3.2 ports have higher bandwidth, bringing quick data transmission capability.



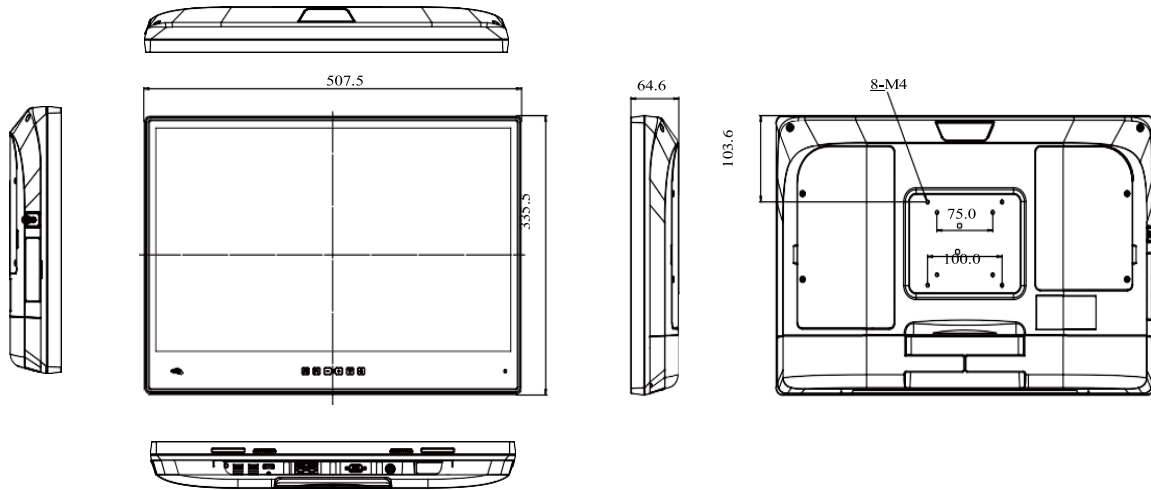
Easy Sterilization

The aluminum front frame is durable and prevents it from chemical erosion. The IP66 front bezel and true flat OSD button with no accessible corner brings convenience of cleaning & sterilization by high level disinfectants.

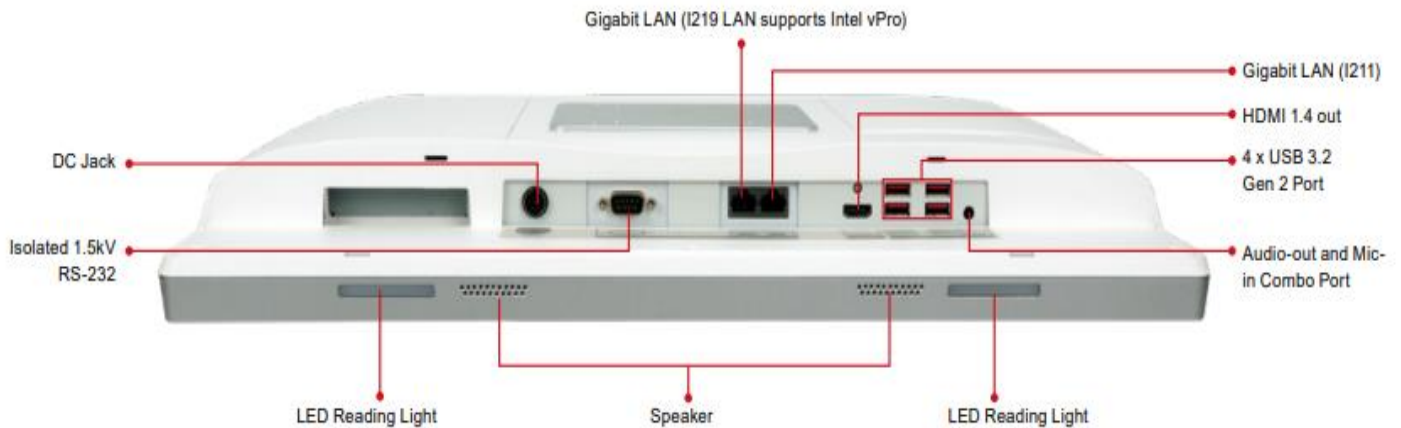
Specifications

Model		POCi-W22C-ULT5
Hardware	CPU	Intel® Core™ i7-8665UE (Whiskey Lake ULT platform) Intel® Core™ i5-8365UE (Whiskey Lake ULT platform)
	Memory	2 x 260-pin 2400/2133MHz dual-channel DDR4 SO-DIMM, 4GB pre-installed (system max. 64GB)
	Storage	1 x 2.5" accessible SATA HDD/SSD bay 1 x M.2 2242/60/80 M key (PCIe x4)
	Expansion Interface	1 x PCIe x4
	Lan Controller	Intel® I211, 1 x Intel® I219 Ethernet Controller (AMT 12.x supported by i7/i5 SKUs)
Display	Size	21.5"
	Max Resolution	1920 (W) x 1080 (H)
	Luminance (cd/m2)	350
	Contrast Ratio	1000:1
	Pixel Pitch (mm)	0.24795 x 0.24795
	Viewing Angle	178° / 178°
	Backlight MTBF (hrs)	30,000
Touch screen	Type	Projected capacitive 10-point multi-touch
Front Button	Function Key	1 x Power on/off 1 x Reading light on/off 1 x Backlight brightness up 1 x Backlight brightness down 1 x LCD & touch lock on/off 1 x DICOM mode app on/off (optional)
I/O Ports	USB 3.2 Gen 2	4
	USB 2.0 (Side)	2
	RS-232 (1.5KV isolated)	1
	GbE LAN I219 (Support Intel vPro)	1
	GbE LAN I211	1
	HDMI output	1
	Audio Jack (audio out & mic in)	1
	DC Jack	1
LED	Indicator	RFID reader (optional)
	Reading Light	Dual reading light
Audio	Speaker	2 x 2W speaker
Wireless	WLAN/Bluetooth	IEEE 802.11 ax 2T2R module (Wi-Fi 6) with Bluetooth V5.0 (M.2 2230 A-E key)
Mechanical	Front Panel Coating	Chemical etching AG
	Material	Front bezel: Aluminum die-casting Rear cover: ABS+PC plastic (chemical resistant)
	Mouting	VESA 75 x 75 mm / VESA 100 x 100 mm
	Dimension (W*H*D)	507.5 x 335.5 x 64.1 mm
	Weight	6.9 kg
Power	Power Requirement	19V DC input
	Power Adaptor	150W medical power adapter
Environment	Operating Temperature	0°C~40°C
	Storage Temperature	-20°C~60°C
	Humidity	10% to 95% (non-condensing)
	IP Level	Front: IP66
Certifications	Safety	CE,FCC Class B Part18, IEC 60601-1:2006/A1:2013 (Edition 3.1), IEC 60601-1-2: 2015 (Edition 4.0)
Package Content		<ul style="list-style-type: none"> • Panel PC x 1 • 150W medical power adapter • European power cord: 1830 mm x 1

Dimensions (unit: mm)



I/O Interface



Ordering Information

Part No.	Description
POCi-W22C-ULT5-i5/PC/4G-R10	21.5" 350cd/m ² FHD medical panel PC with 8th generation 14nm Intel® mobile Core™ i5-8365UE (15W) 1.6GHz on-board processor (ULT), one 4GB DDR4 RAM, 802.11ax Wi-Fi module, PCAP touchscreen w/ AG coating, microphone, R10
POCi-W22C-ULT5-i5/PC/4G-B-R10	21.5" 350cd/m ² FHD medical panel PC with 8th generation 14nm Intel® mobile Core™ i5-8365UE (15W) 1.6GHz on-board processor (ULT), one 4GB DDR4 RAM, 802.11 ax Wi-Fi module, PCAP touchscreen w/ AG coating, microphone, w/ battery, R10
POCi-W22C-ULT5-i5/PC/4G-BP-R10	21.5" 350cd/m ² FHD medical panel PC with 8th generation 14nm Intel® mobile Core™ i5-8365UE (15W) 1.6GHz on-board processor (ULT), one 4GB DDR4 RAM, 802.11 ax Wi-Fi module, PCAP touchscreen w/ AG coating, microphone, w/ built-in power, R10
POCi-W22C-ULT5-i7/PC/4G-R10	21.5" 350cd/m ² FHD medical panel PC with 8th generation 14nm Intel® mobile Core™ i7-8665UE (15W) 1.7GHz on-board processor (ULT), one 4GB DDR4 RAM, 802.11 ax Wi-Fi module, PCAP touchscreen w/ AG coating, microphone, R10
POCi-W22C-ULT5-i7/PC/4G-B-R10	21.5" 350cd/m ² FHD medical panel PC with 8th generation 14nm Intel® mobile Core™ i7-8665UE (15W) 1.7GHz on-board processor (ULT), one 4GB DDR4 RAM, 802.11 ax Wi-Fi module, PCAP touchscreen w/ AG coating, microphone, w/ battery, R10
POCi-W22C-ULT5-i7/PC/4G-BP-R10	21.5" 350cd/m ² FHD medical panel PC with 8th generation 14nm Intel® mobile Core™ i7-8665UE (15W) 1.7GHz on-board processor (ULT), one 4GB DDR4 RAM, 802.11 ax Wi-Fi module, PCAP touchscreen w/ AG coating, microphone, w/ built-in power, R10

Options

Part No.	Description
19B00-000430-00-RS	Mifare RFID reader for POCi-W22C-ULT5, 13.56MHz, Z641, RFID board + antenna, factory assembly only
19B00-000425-00-RS	RFID reader for POCi-W22C-ULT5, 125KHz, factory assembly only
MEDP-DICOM-R10	DICOM board module n, factory assembly only
31603-000069-RS	3S3P Li-ion battery pack, 11.1V, 7800mAh, ATO only, CCL, RoHS
AFLWK-19B	VESA 100 wall mount kit
ARM-31-RS	VESA 75/100 clamp type arm
STAND-300SW-RS	VESA 75/100 monitor stand
STAND-DWH-R10	VESA 75/100 stand, supports up to 15 kg, white



POCi-W22C-ULT5_
datasheet_V2_20220429

Britemed Technology Inc.

3F., No.306/306-3, Sec. 1, Datong Rd., Xizhi Dist., New Taipei City 22146, Taiwan

TEL: +886-2-86919498

FAX: +886-2-86919468

www.britemed.com.tw

Specifications may change without further notice.
© 2022 BriteMED Technology Inc. All rights reserved.