

## BriteMED® POC-W24C-ULT3

24" medical panel PC with flexible external connections



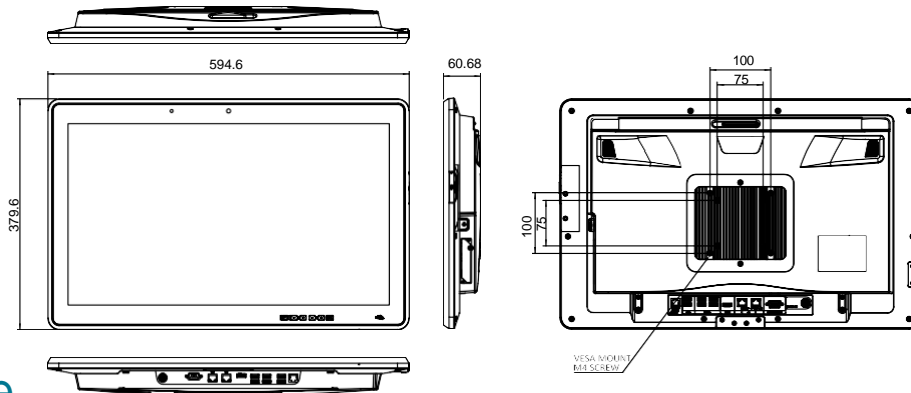
### Features

- 24" fanless Full HD medical grade panel PC
- Slim design & modular structure, easy for maintenance
- Built-in 5-megapixel camera facilitates communication purpose
- Rich IO ports allow flexible connection with external devices
- Advanced 802.11 a/b/g/n/ac wireless connectivity
- The antimicrobial housing with IP65 front panel for cleaning and sterilization

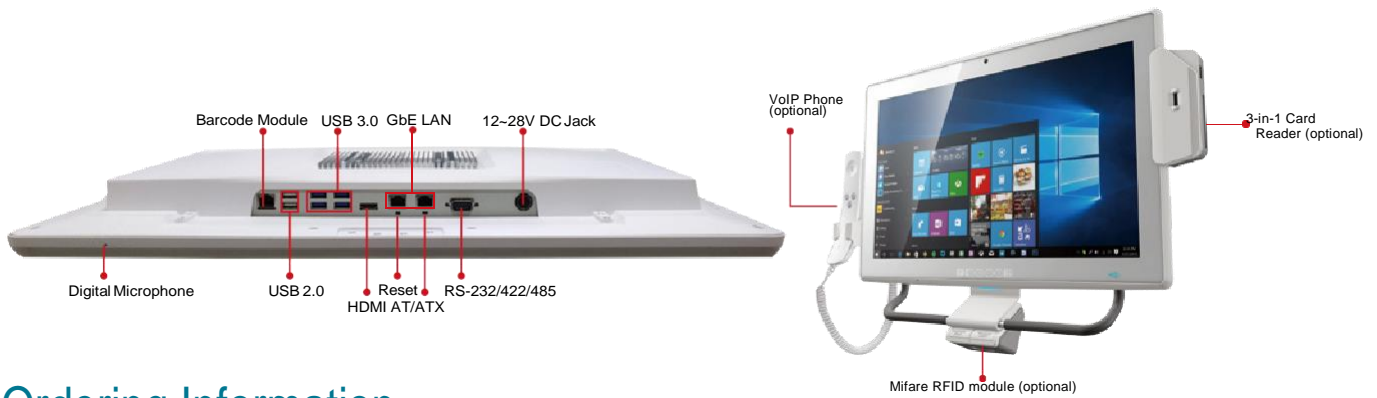
### Specifications

Model		POC-W24C-ULT3			
Description	CPU	6th generation Intel® mobile ULT Core™ i7-6600U / Core™ i5-6300U / Celeron® 3855U 7th generation Intel® mobile ULTKaby Lake on-board SoC (by project base)	I/O Port	HDMI Out 1 DC Jack 1 RJ11 For barcode reader RFID Optional Mifare 13.56 MHz card reader	
	Memory	Two 260-pin 1600/1333MHz dual-channel DDR4 SO-DIMM, 4GB pre-installed (system max. 32GB)	LED	Indicator RFID indicator	
	Storage	1 x 2.5" SATA 6Gb/s HDD bay 1 x mSATA (E-Window)	Audio	Speaker 2 x 3W speaker	
	Webcam & Microphone	5-megapixel CMOS front-facing camera with auto-focus and digital microphone	Wireless	WLAN/Bluetooth IEEE 802.11 a/b/g/n/ac 2T2R module with Bluetooth V4.1 1x 2230 A/E key (PCIe x 1/USB 2.0)	
	Expansion Interface	1 x PCIe Mini reserved for E-Window expansion	Sensor	Light Sensor Ambient light sensor for panel brightness adjustment	
Display	Size	24"	Mechanical	Mounting VESA 100 x 100 mm / 75 x 75 mm Weight 7.5 kg Dimensions (WxHxD) 594.6 x 379.6 x 60.7 mm	
	Max Resolution	1920 (W) x 1080 (H)		Power	Power Requirement 12V~28V DC input Power Adapter 120W medical power adapter: Input: 90V~264V AC, Output: 19V DC
	Luminance (cd/m²)	250			Environment
	Contrast Ratio	1000:1	Certification	Safety CE, FCC Class B part B, IEC 60601-1:2005+AMD1:2012 ( Edition 3.1) IEC 60601-1-2: 2014 (Edition 4.0)	
Touchscreen Type	Projected capacitive type with 10-point multi-touch	Front Button		Function Key	Combinations: 1 x Lock/Unlock OSD 1 x Power on/off
Touch	1 x LCD on/off 1 x Brightness up 1 x Brightness down 1 x Volume up 1 x Volume down 1 x Touch lock button for cleaning		I/O Port		
USB 3.0	4				
USB 2.0	4				
RS-232/422/485	1				
GbE LAN port	2				

# Dimensions (unit: mm)



# I/O Interface



# Ordering Information

Part No.	Description
POC-W24C-ULT3-C/PC/4G-R10	24" 250cd/m <sup>2</sup> 1920 x 1080 panel PC with 6th generation 14nm Intel® mobile Celeron™ 3855U (15W) on-board processor (ULT), one 4GB DDR4 RAM, 802.11 a/b/g/n/ac WiFi module, PCAP touchscreen, 5-megapixel camera, microphone, R10
POC-W24C-ULT3-i5/PC/4G-R10	24" 250 cd/m <sup>2</sup> 1920 x 1080 panel PC with 6th generation 14nm Intel® mobile Core™ i5-6300U (15W) on-board processor (ULT), one 4GB DDR4 RAM, 802.11a/b/g/n/ac WiFi module, PCAP touchscreen, 5-megapixel camera, microphone, R10
POC-W24C-ULT3-i7/PC/4G-R10	24" 250 cd/m <sup>2</sup> 1920 x 1080 panel PC with 7th generation 14nm Intel® mobile Core™ i7-6600U (15W) on-board processor (ULT), one 4GB DDR4 RAM, 802.11a/b/g/n/ac WiFi module, PCAP touchscreen, 5-megapixel camera, microphone, R10

# Options

Part No.	Description
MEDP-MF-RFID-R11	Mifare RFID reader, 13.56MHz, PN7362AUHN, with LED indicator, 250mm Antenna cable
MEDP-EZS-R10	VESA 100 x 100 mm panel PC stand with a cable management hole, white

Part No.	Description
AFLWK-19B	VESA 100 wall mount kit
ARM-31-RS	VESA 75/100 clamp type arm
STAND-300SW-RS	VESA 75/100 monitor stand



POC-W24C\_datasheet\_V1\_20201027

Britemed Technology Inc.  
 3F., No.306/306-3, Sec. 1, Datong Rd., Xizhi Dist., New Taipei City 22146, Taiwan  
 TEL: +886-2-86919498  
 FAX: +886-2-86919468  
 www.britemed.com.tw

Specifications may change without further notice.  
 © 2020 BriteMED Technology Inc. All rights reserved.

**Celebrate Humanity With Technology**